

VM-P-Rp Series

Full Ratio Control of Dilution Water to Polymer Flow

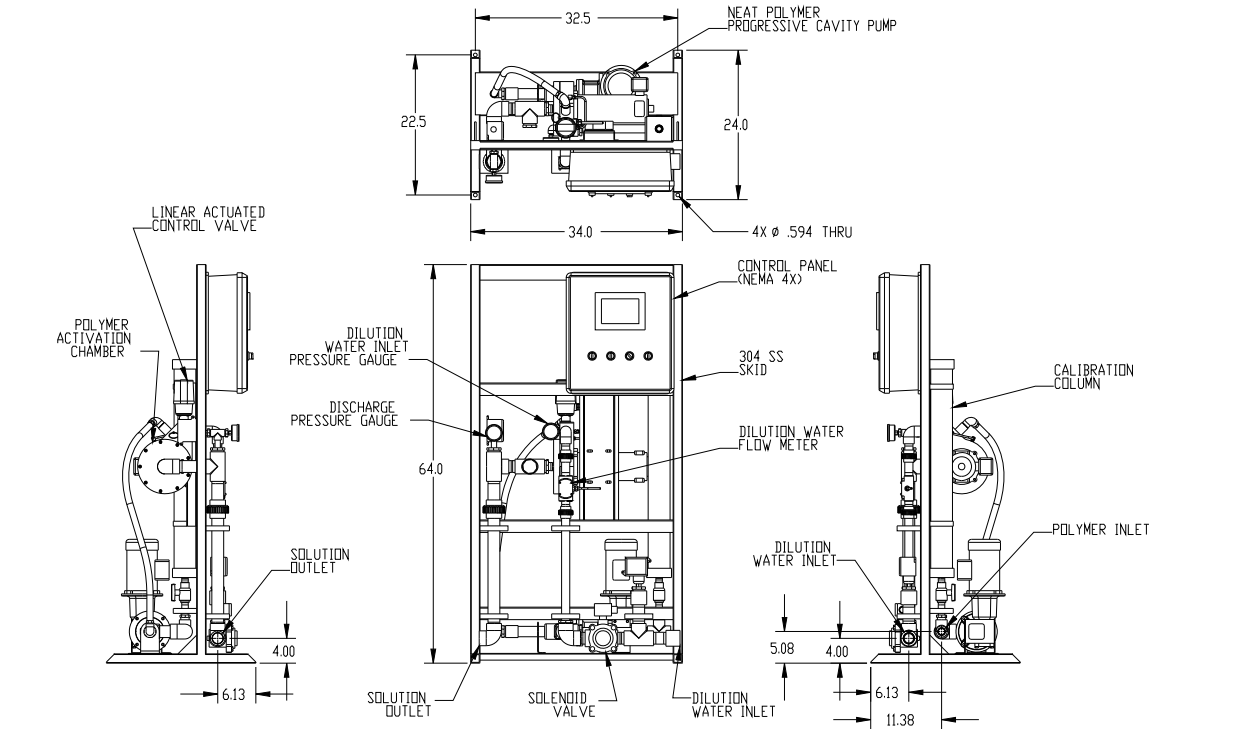


- **State-of-the-art Hydro-Mechanical Hybrid Blending Technology**
- **Ratio Control of Dilution Water to Polymer Flow**
- **Progressive Cavity Pump** (gear & rotary lobe also available)
- **Rugged Stainless Steel Frame**
- **Open Accessibility to All Components**

The VeloBlend VM series is a hybrid polymer blending technology delivering the ultimate in performance and reliability.

- Operates non-mechanically with pressures as low as 30 psi
- Advanced variable speed mechanical polymer blending alleviates the reliance on water pressure for mixing energy
- Specially designed check valve improves reliability
- Exclusive mechanical seal flush improved reliability
- Clear mixing chamber for viewing mixing action





Build Your VeloBlend Model:

Series	Pump Selection	Water Range Selection	Control Series
VMT			Rp

Series:

VM	Hydro-Mechanical Mixing Chamber
----	---------------------------------

Pump Section:

2.5P	0.12 to 2.5 GPH
5.0P	0.25 to 5 GPH
10P	0.5 to 10 GPH
15P	0.75 to 15 GPH
25P	1.25 to 25 GPH
35P	1.75 to 35 GPH
50P	2.5 to 50 GPH
<i>Smaller and Larger ranges available – consult factory.</i>	

Water Range Selection:

300	0.25 to 5 GPM
600	0.5 to 10 GPM
1200	1 to 20 GPM
1800	1.5 to 30 GPM
2400	2 to 40 GPM
6000	10 to 100 GPM
<i>Lower & Higher capacities available – consult factory</i>	

Control Features:

- TOUCH-SCREEN USER INTERFACE
- LOCAL ON/OFF
- REMOTE ON/OFF (DRY CONTACT)
- 4-20mA POLYMER PUMP PACING
- LOW WATER PRESSURE ALARM (optional)
- LOW POLYMER FLOW ALARM (optional)
- LOW WATER FLOW ALARM
- 4-20mA OUTPUT PUMP RATE
- AUTO CONCENTRATION CONTROL



6595 Odell Pl, Suite I
 Boulder, CO 80301
 (303) 530-3298 • FAX (303) 530-3368
 www.polymersolution.com